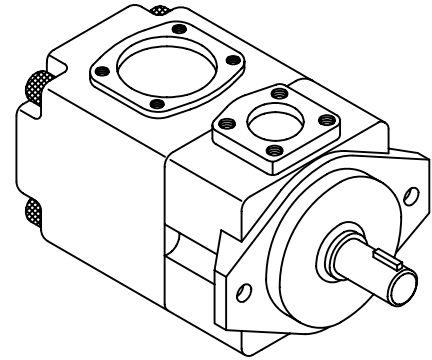


VQ15
VQ20 SVQ25
VQ25 SVQ35
VQ35 SVQ45
VQ45 DVQ45



ORDERING CODE 訂購指引

VQ15	-17	F	R	A	A	-01
Model number 型號	Displacement c.c/rev (吐出量)	Mounting Type 安裝方式	Rotation 轉向	Discharge Position 出口位置	Suction Position 進口位置	Shaft Type 心軸種類
VQ15	6,8,11,14,17, 19,23,26,31,38	F: Flange Type 法蘭型 L: Foot Type 腳座型	View from Shaft End 從心軸方向看 R: Clockwise 順時針 L: Anti- Clockwise 逆時針	A: Upward (Normal) 向上	A: Upward (Normal) 向上	-01 -02 -03
VQ20	6,8,11,14,17, 19,23,26,31, 38			B: Downward 向下	B: Downward 向下	
VQ25 SVQ25	18,22,26,32, 38,43,47,52, 60,65,75			R: On Right Hand 右邊	R: On Right Hand 右邊	
VQ35 SVQ35	60,66,76,82, 88,94,108, 116,125			L: On Left Hand 左邊	L: On Left Hand 左邊	
VQ45 SVQ45 DVQ45	136,156,189, 200,216,237					

SINGLE PUMP WEIGHT LIST (Kg) 單泵重量表

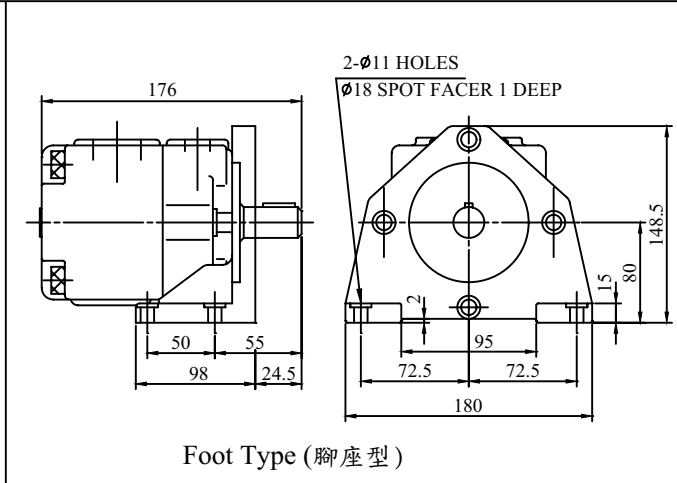
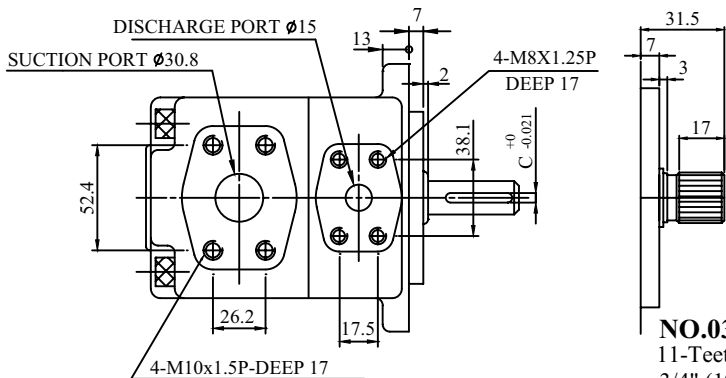
	VQ15	VQ20	VQ25	SVQ25	VQ35	SVQ35	VQ45	DVQ45	SVQ45
Flange Type	10.3	12.3	16.7	23	36	33	52	61	66.5
Foot Type	12.7	17	21.4	31	44	41	60	92	98
Outlet & Inlet Flange	0.9	0.9	1.6	1.6	2.0	2.0	3.2	3.2	3.2

VQ 系列工作壓力說明

Model 型號	Geometric displ. (c.c/rev) 吐出量	Using anti-wear oil or Phosphate ester fluid 使用抗磨液壓油		Using water glycol fluid 使用水乙二醇液		Using water-in-oil emulsions 使用油包水乳化液		Min Speed (rpm) 最低轉速
		Max Pressure (Kgf/cm ²) 最高壓力	Max Speed (rpm) 最高轉速	Max Pressure (Kgf/cm ²) 最高壓力	Max Speed (rpm) 最高轉速	Max Pressure (Kgf/cm ²) 最高壓力	Max Speed (rpm) 最高轉速	
VQ15	06	210	1800	160	1200	140	1200	800
	08							
	11							
	14							
	17							
	19							
	23							
	26							
	31	175	1500					
38	1200							
VQ20	06	210	1800	160	1200	140	1200	800
	08							
	11							
	14							
	17							
	19							
	23							
	26							
	31	175	1500					
38	1200							
VQ25 SVQ25	18	210	1800	160	1200	140	1200	800
	22							
	26							
	32							
	38							
	43							
	47							
	52							
	60	1500						
75								
VQ35 SVQ35	60	175	1800	160	1200	140	1200	600
	66							
	76							
	82							
	88							
	94							
	108							
	116	1500						
125								
VQ45 SVQ45 DVQ45	136	175	1800	140	1200	140	1200	600
	156							
	189							
	200							
	216	1500						
237								

Model 型號		Delivery Flow (ℓ/min) at no-load pressure 無負壓的傳輸流量				Running Speed (rpm) 轉速		Max Pressure (Kgf/cm ²) 最大壓力	
		Running Speed (rpm) 轉速				Max 最大	Min 最小	Cont.	Peak.
		1000	1200	1500	1800				
VQ15	06	6.2	7.4	9.3	11.2	1800	800	210	240
	08	8.1	9.7	12.1	14.6	1800	800	210	240
	11	11.2	13.4	16.8	20.1	1800	800	210	240
	14	14.3	17.1	21.5	25.7	1800	800	210	240
	17	17.1	20.5	25.6	30.7	1800	800	210	240
	19	19.2	23.0	28.8	34.5	1800	800	210	240
	23	23.3	27.9	34.9	41.9	1800	800	210	240
	26	26.1	31.3	39.1	46.9	1800	800	210	240
	31	31.1	37.3	46.6	——	1500	800	175	240
	38	38.1	45.6	——	——	1200	800	175	230
VQ20	06	6.2	7.4	9.3	11.2	1800	800	210	230
	08	8.1	9.7	12.1	14.6	1800	800	210	230
	11	11.2	13.4	16.8	20.1	1800	800	210	230
	14	14.3	17.1	21.5	25.7	1800	800	210	230
	17	17.1	20.5	25.6	30.7	1800	800	210	230
	19	19.2	23.0	28.8	34.5	1800	800	210	230
	23	23.3	27.9	34.9	41.9	1800	800	210	230
	26	26.1	31.3	39.1	46.9	1800	800	210	230
	31	31.1	37.3	46.6	——	1500	800	175	230
	38	38.1	45.6	——	——	1200	800	175	230
VQ25 SVQ25	18	18.1	21.7	27.2	32.6	1800	800	210	230
	22	22.1	26.5	33.2	39.8	1800	800	210	230
	26	26.2	31.4	39.3	47.1	1800	800	210	230
	32	32.1	38.5	48.1	57.7	1800	800	210	230
	38	38.2	45.8	57.3	68.7	1800	800	210	230
	43	43.2	51.8	64.8	77.7	1800	800	210	230
	47	47.1	56.5	70.0	85.0	1800	800	210	230
	52	52.3	62.7	78.4	94.1	1800	800	210	230
	60	60.2	72.7	90.3	108.3	1800	800	210	230
	65	65.3	78.3	97.9	117.5	1800	800	210	230
75	75.0	90.0	112.5	——	1500	800	210	230	
VQ35 SVQ35	60	60.3	72.3	90.4	108.5	1800	600	175	210
	66	66.4	79.6	99.6	119.5	1800	600	175	210
	76	76.3	91.5	114.4	137.3	1800	600	175	210
	82	82.2	98.6	123.3	147.9	1800	600	175	210
	88	88.3	105.9	132.4	158.9	1800	600	175	210
	94	94.5	113.4	141.7	170.1	1800	600	175	210
	108	108.2	129.8	162.3	194.4	1800	600	175	210
	116	116.1	139.3	174.1	208.9	1800	600	175	210
	125	124.6	149.5	186.9	——	1500	600	175	210
VQ45 SVQ45 DVQ45	136	136.8	164.0	204.0	246.0	1800	600	165	175
	156	156.2	188.0	234.0	280.0	1800	600	165	175
	189	189.5	227.0	284.0	340.0	1800	600	165	175
	200	200.0	240.0	300.0	360.0	1800	600	165	175
	216	216.0	260.0	324.0	——	1500	600	165	175
237	237.0	285.0	355.0	——	1500	600	165	175	

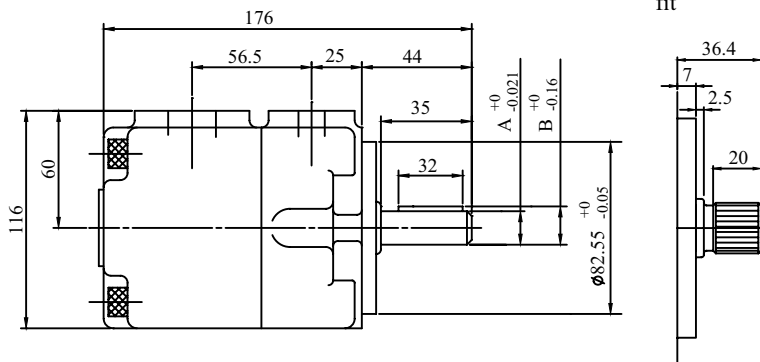
VQ15 Max. Pressure: 240 Kg/cm² (Peak)
Max. Speed: 1800 rpm



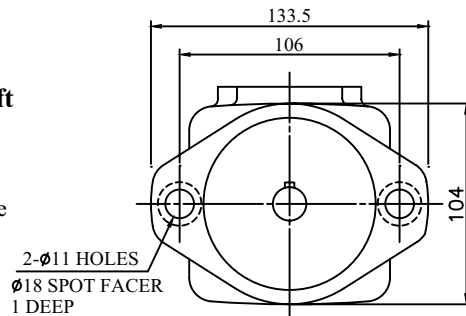
Foot Type (腳座型)

NO.03-Shaft
11-Teeth Spline
3/4" (19.05)DIA
30° pressure angle Flat root side fit

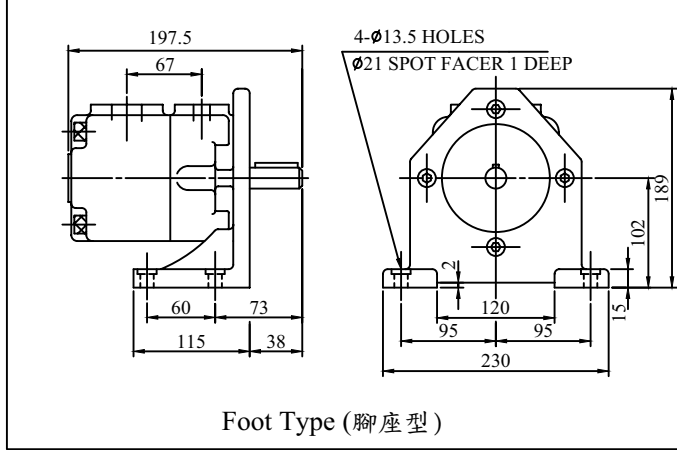
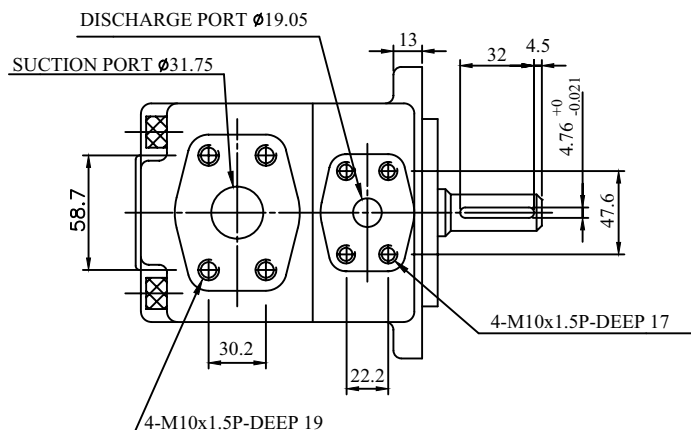
	A	B	C
NO.01-Shaft	$\phi 19.05$	21.24	4.76
NO.03-Shaft	Spline shaft		
NO.05-Shaft	Spline shaft		



NO.05-Shaft
SAE A
12/24 dp.
9-teeth 30° pressure angle Flat root side fit.

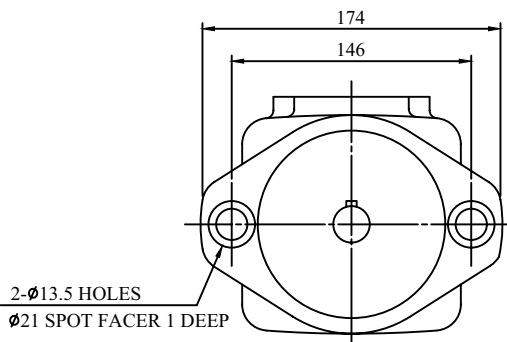
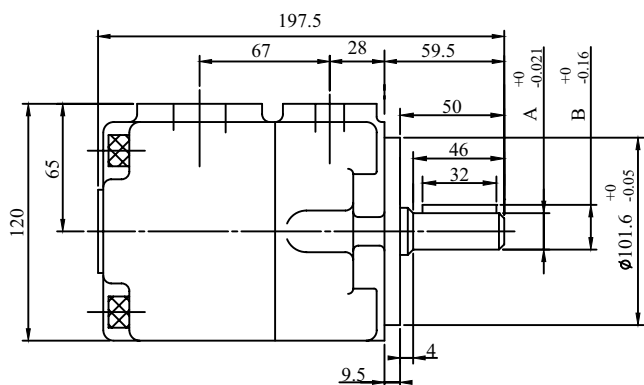


VQ20 Max. Pressure: 230 Kg/cm² (Peak)
Max. Speed: 1800 rpm

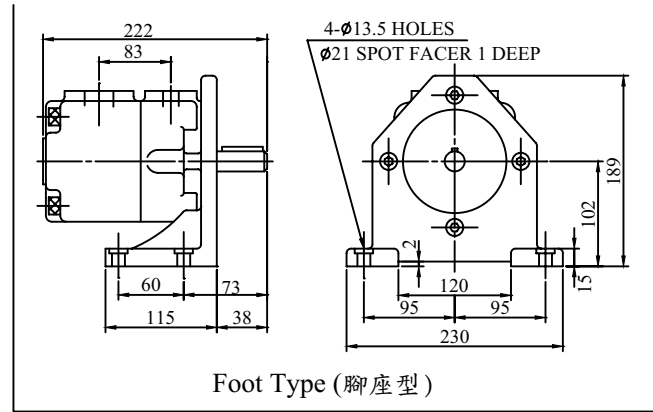
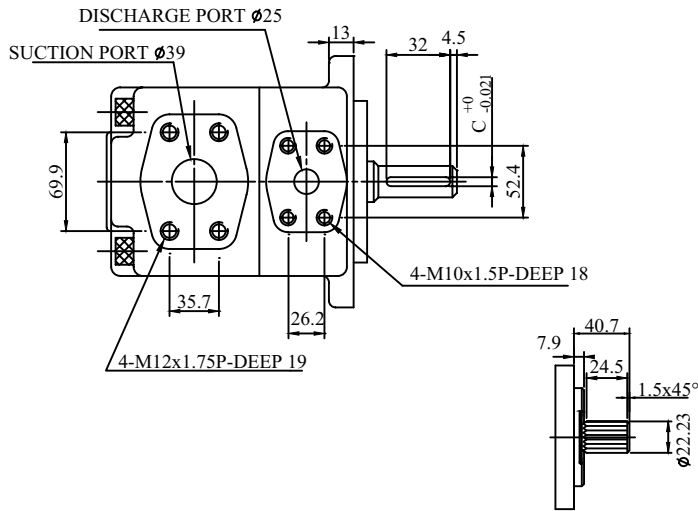


Foot Type (腳座型)

	A	B	C
NO.01-Shaft	$\phi 22.23$	24.5	4.76
NO.02-Shaft	$\phi 25.4$	28.18	6.35
NO.03-Shaft	$\phi 22.23$	24.94	6.35

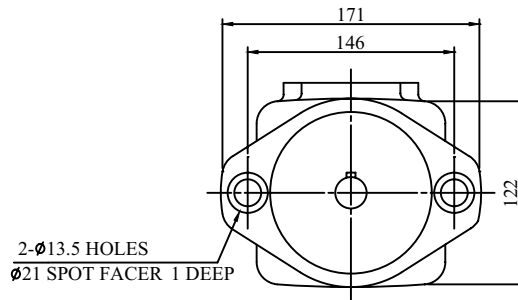
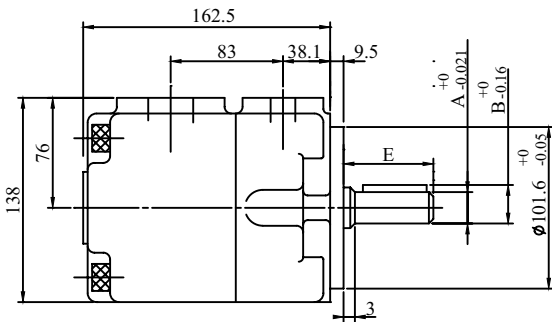


VQ25 Max. Pressure: 230 Kg/cm² (Peak)
Max. Speed: 1800 rpm

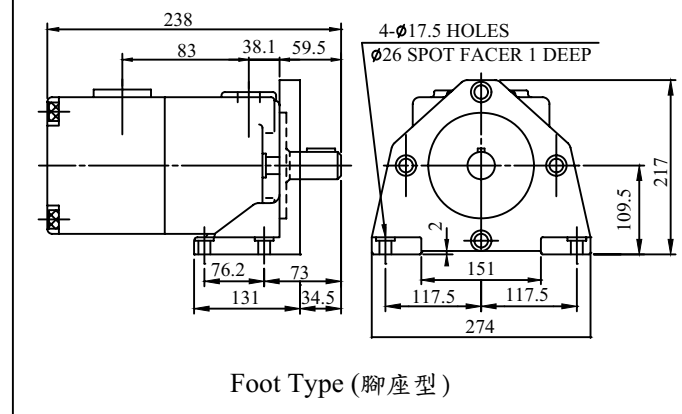
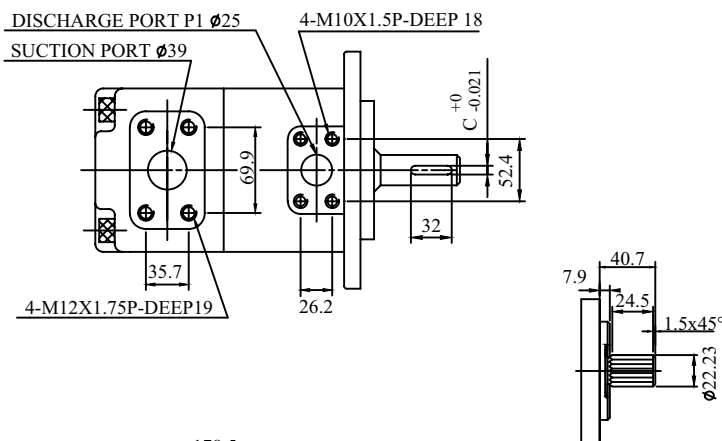


NO.04-Shaft
16/32 d.p. -13
teeth 30°
pressure angle
Flat root side fit.

	A	B	C	E
NO.01-Shaft	$\phi 22.23$	24.5	6.35	50.5
NO.02-Shaft	$\phi 25.4$	28.18	6.35	50.5
NO.03-Shaft	$\phi 30$	33	7	59
NO.04-Shaft	Spline shaft			

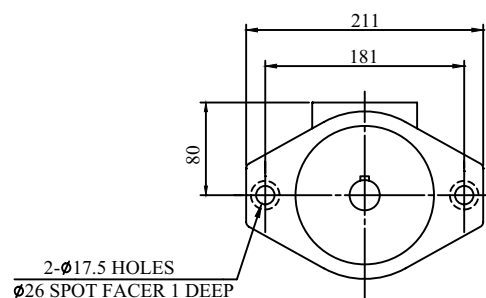
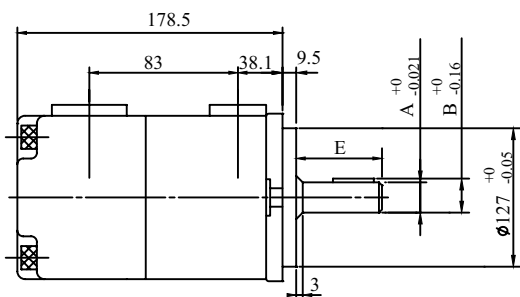


SVQ25 Max. Pressure: 230 Kg/cm² (Peak)
Max. Speed: 1800 rpm

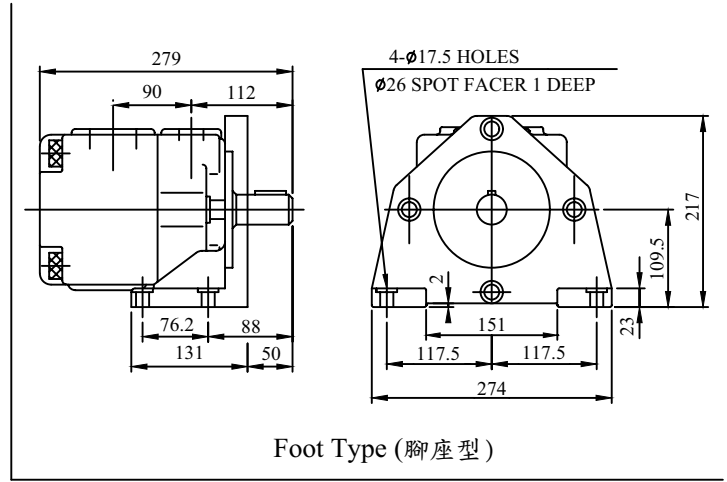
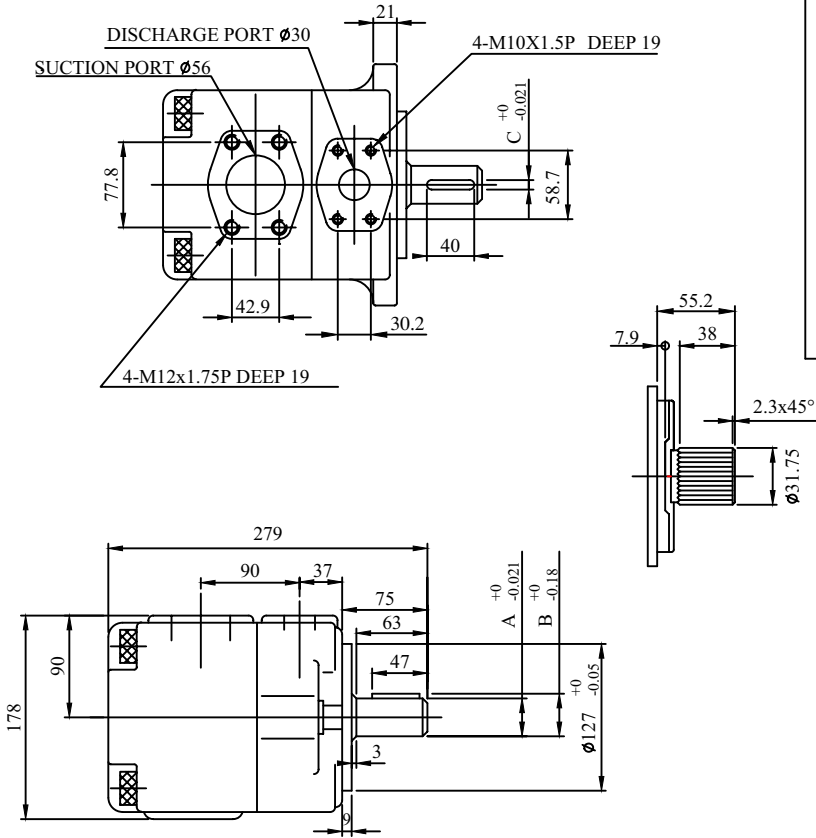


NO.04-Shaft
16/32 d.p. -13
teeth 30°
pressure angle
Flat root side fit.

	A	B	C	E
NO.01-Shaft	$\phi 22.23$	24.5	6.35	50.5
NO.02-Shaft	$\phi 25.4$	28.18	6.35	50.5
NO.03-Shaft	$\phi 30$	33	7	59
NO.04-Shaft	Spline shaft			

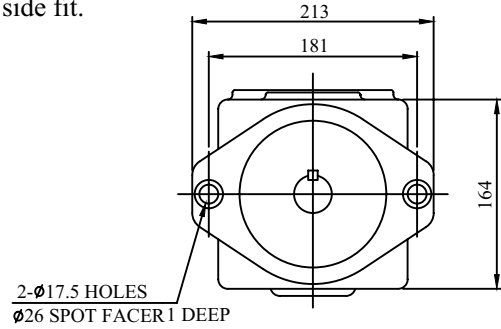


VQ35 Max. Pressure: 210 Kg/cm² (Peak)
Max. Speed: 1800 rpm

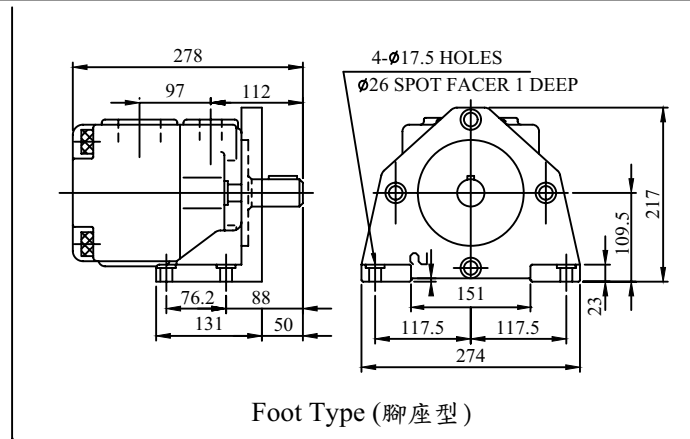
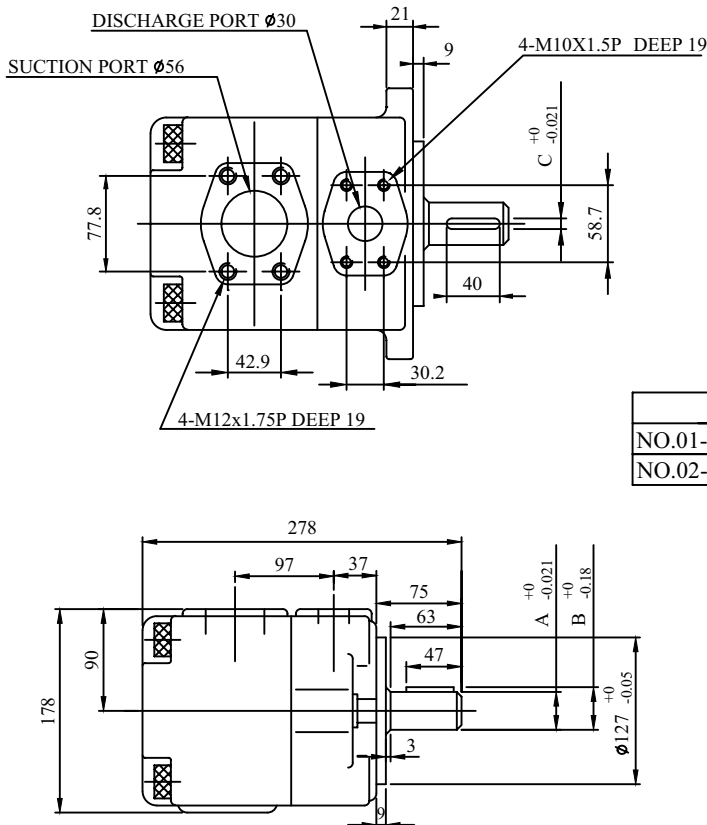


NO.03-Shaft
12/24 d.p.-14
teeth 30° pressure
angle Flat root
side fit.

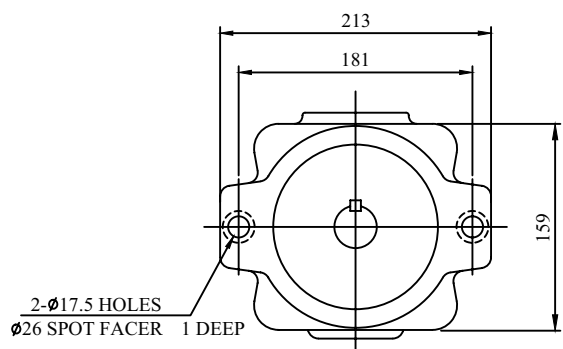
	A	B	C
NO.01-Shaft	$\phi 31.75$	35.32	7.95
NO.02-Shaft	$\phi 34.9$	38.56	7.95
NO.03-Shaft	Spline shaft		



SVQ35 Max. Pressure: 210 Kg/cm² (Peak)
Max. Speed: 1800 rpm



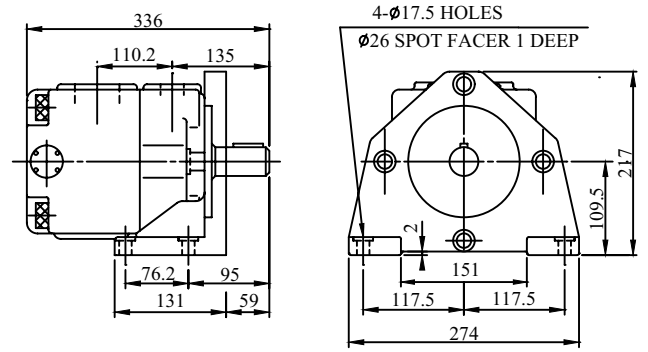
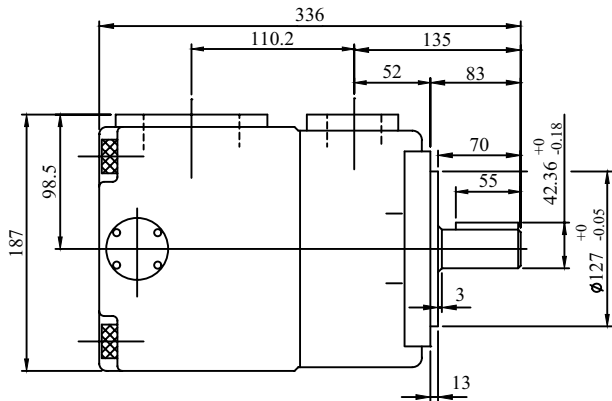
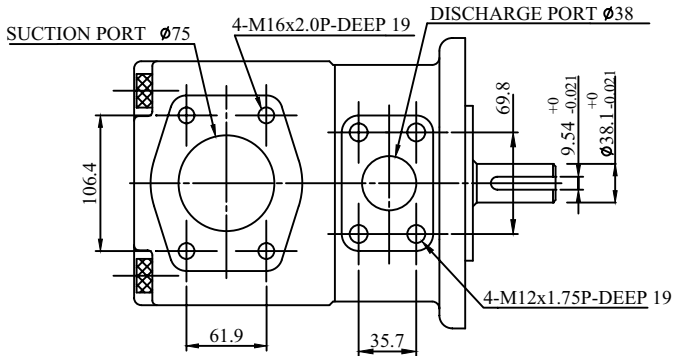
	A	B	C
NO.01-Shaft	$\phi 31.75$	35.32	7.95
NO.02-Shaft	$\phi 34.9$	38.56	7.95



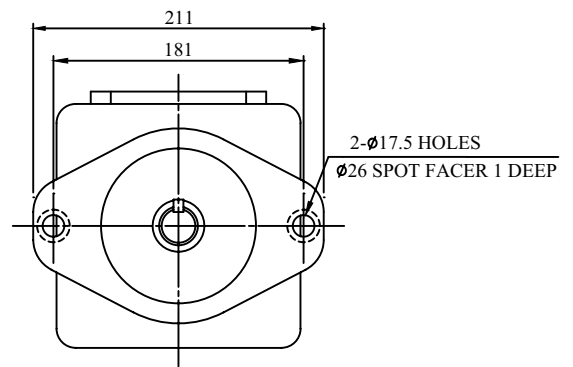
VQ45

Max. Pressure: 175 Kgf/cm² (Peak)

Max. Speed: 1800 rpm



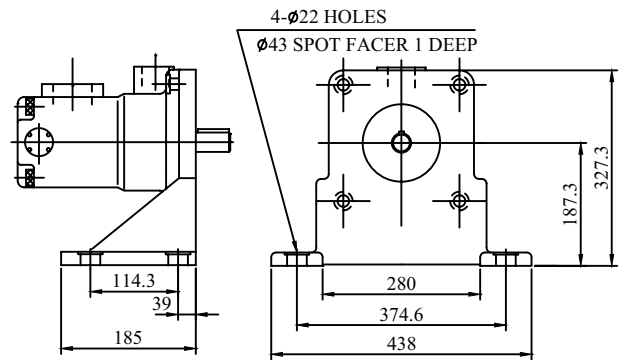
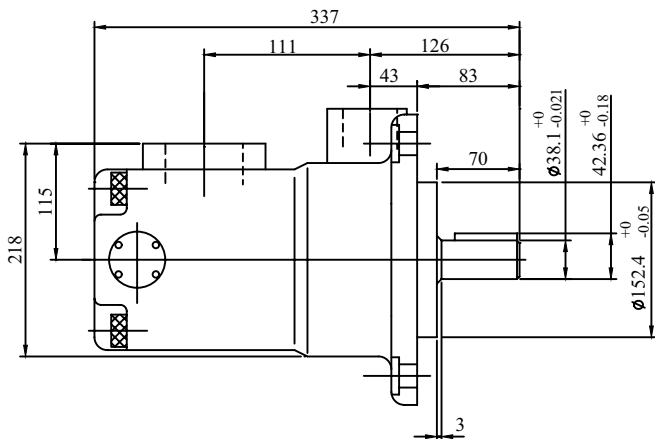
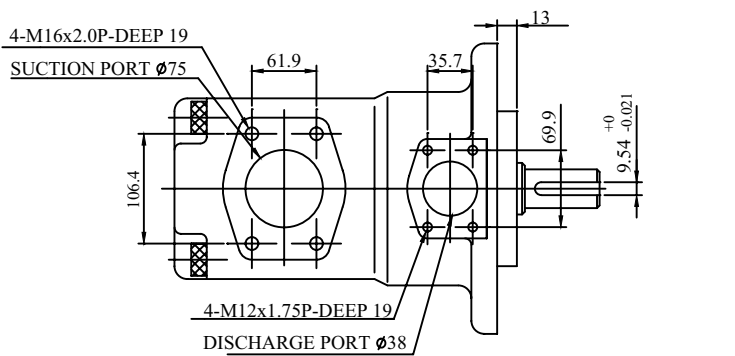
Foot Type (腳座型)



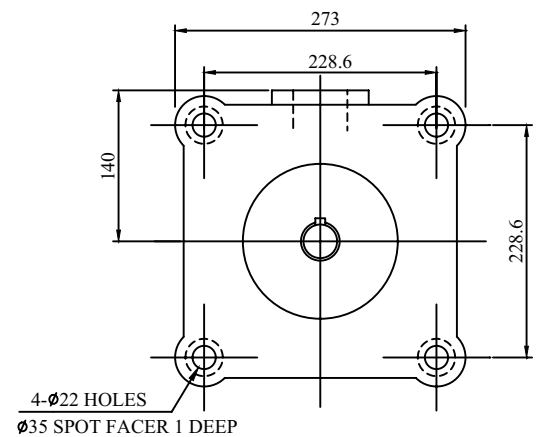
DVQ45

Max. Pressure: 175 Kgf/cm² (Peak)

Max. Speed: 1800 rpm



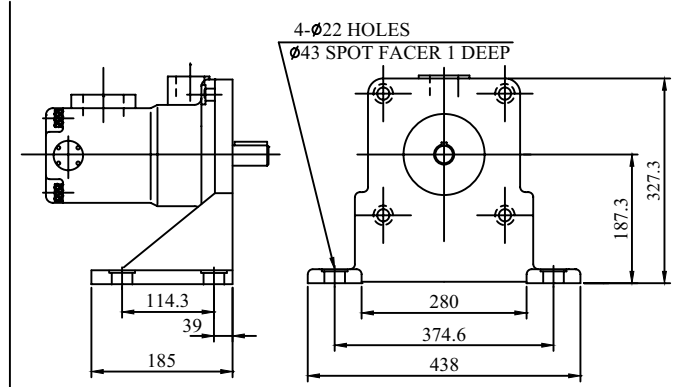
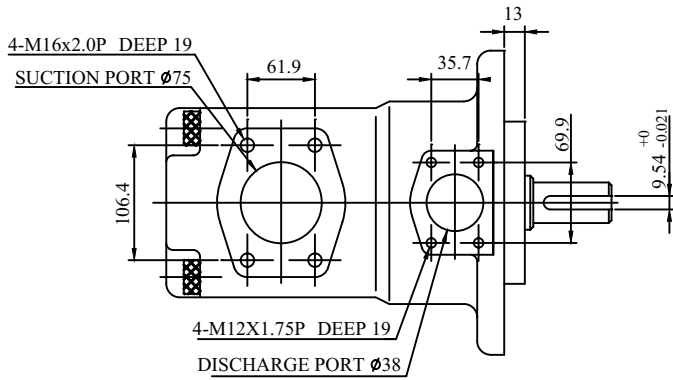
Foot Type (腳座型)



SVQ45

Max. Pressure: 175 Kg/cm² (Peak)

Max. Speed: 1800 rpm



Foot Type (腳座型)

